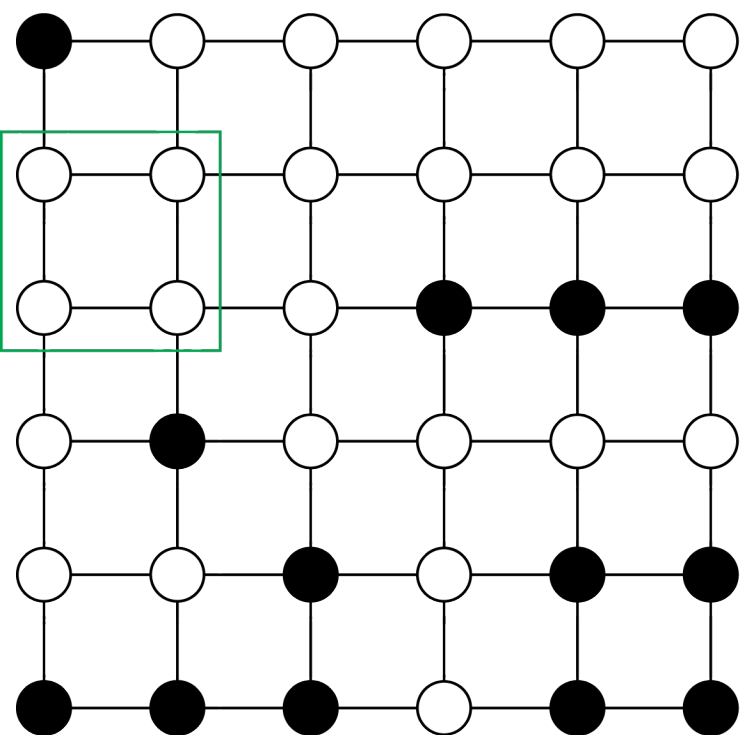
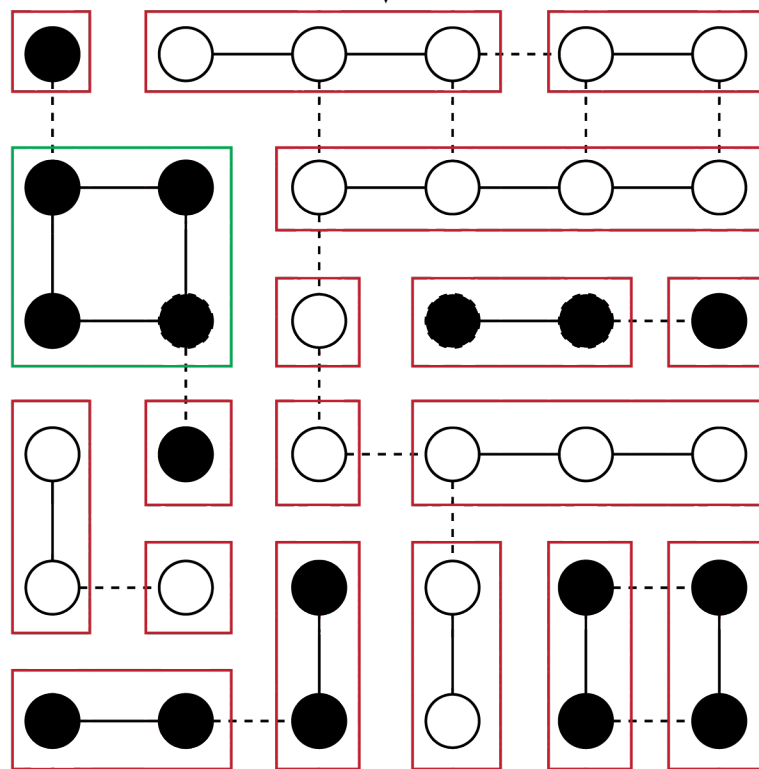
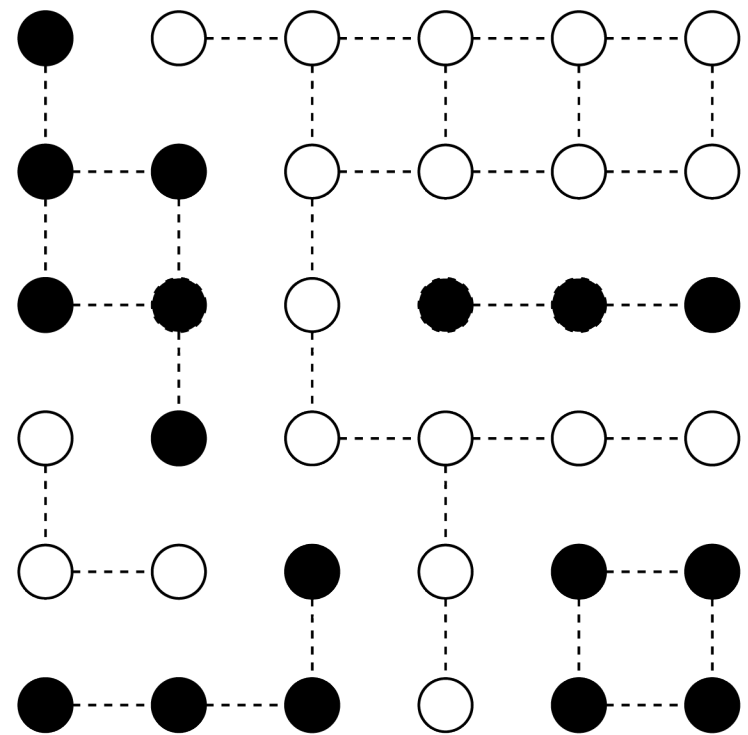
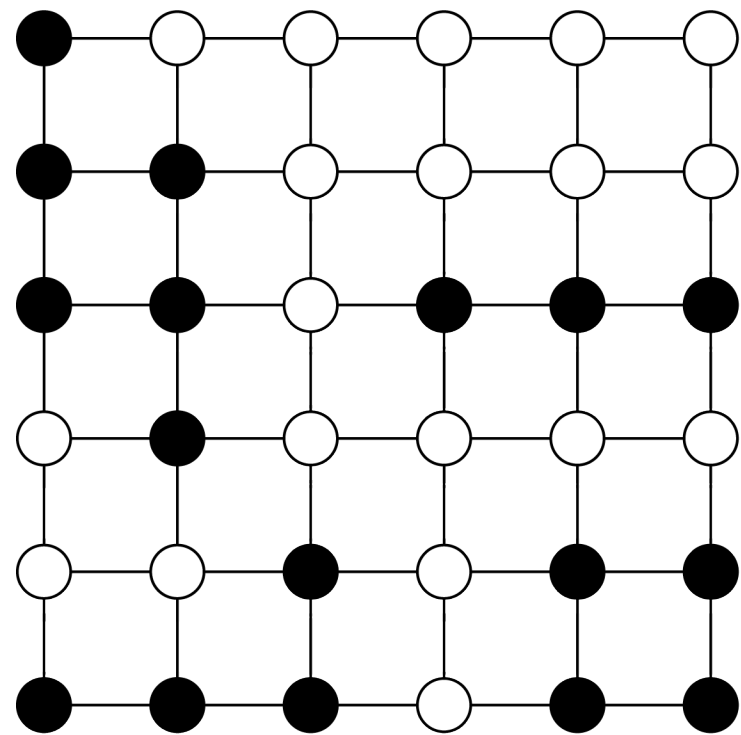


Disconnect edges between nodes with different assignments



Select a connected component and assign it to a different label

Activate remaining edges with some probability and find connected components